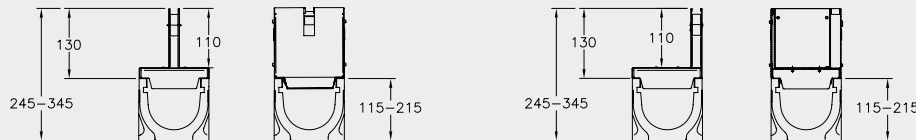


# MEADRAIN Solution System TopSlot 1000

## Technical data

TS 1000.0 with channel TL 1000 + inspection tops



## Material properties

### Channel body

- Polymer concrete based on polyester resin
- Compression resistance >90 N/mm<sup>2</sup>
- Flexural strength >22 N/mm<sup>2</sup>
- Water absorption below 0,05%
- Density 2,25 kg/dm<sup>3</sup>
- Module of elasticity 25-35 kN/mm<sup>2</sup>
- Water penetration depth 0 mm
- Material structure capillary free

### Edge protection

- None

### Channel covers

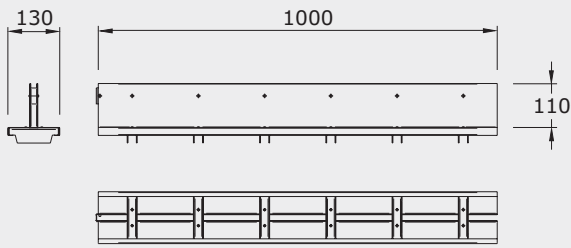
- Galvanized steel
- Stainless steel

## Description and sizes

- Drainage channels made of polymer concrete with sealable channel groove
- Nominal width: 100 mm
- Suitable as the channel base for the insertion of TopSlot 1000 slotted tops
- Fall types:
  - Channel body without fall, length 1000 mm  
with connection option for a vertical Ø 110 mm outlet  
or a silt box / gully  
or with an integral Ø 110 mm outlet connector in HD PE with an NBR-O sealing ring
  - Channel body without fall, length 500 mm  
with connection option for a vertical Ø 110 mm outlet  
or a silt box / gully  
and with a lateral channel connection option for T, corner and cross connections
  - Channel body for stepped fall, length 1000 mm  
as connection elements for channels with no fall  
with different total heights
  - Channel body with linear fall, length 1000 mm  
with connection option for a vertical Ø 110 mm outlet
- Total heights: 115 mm to 215 mm
- Total width: 130 mm
- Tongue and groove channel connection system
- Loading class: A 15 to C 250, compliant with EN1433
- CE conformity

## TopSlot 1000 central slotted top

TS 1000.0 M

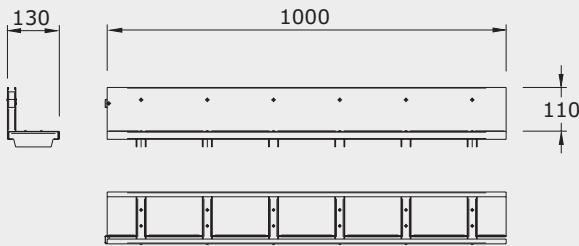


### Description and sizes

- Channel cover with inlet slot for the aesthetic finish of pavement surfaces
- Suitable for MEADRAIN TopSlot 1000 channels
- Slot width: 15 mm / optionally with silt-trap mesh
- Available inlet height: 110 mm
- Material: galvanized steel or stainless steel
- Total lengths: 500 mm and 1000 mm

## TopSlot 1000 lateral slotted top

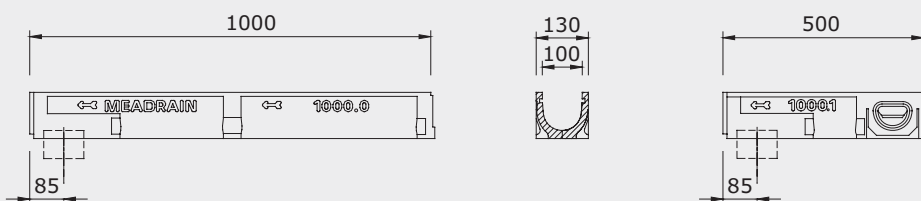
TS 1000.0 S



### Description and sizes

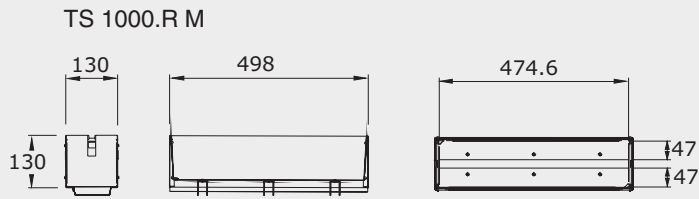
- Channel cover with inlet slot as a concealed channel for the aesthetic finish of pavement surfaces
- Suitable for MEADRAIN TopSlot 1000 channels
- Slot width: 15 mm / optionally with silt-trap mesh
- Available inlet height: 110 mm
- Material: galvanized steel or stainless steel
- Total lengths: 500 mm and 1000 mm

## TL 1000 channel



- Refer to front page for description and sizes

## TopSlot 1000 central access point



### Description and sizes

- Acces point for use with TopSlot 1000 silt boxes and channel elements
- To promote aesthetic design, the adjoining pavement surface may be continued across onto the TopSlot element
- Material: galvanized steel or stainless steel
- Total length: 500 mm
- Total height = channel or silt box height + 130 mm

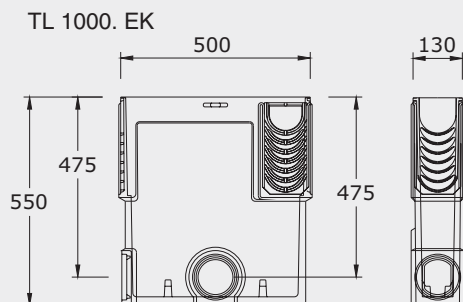
## TopSlot 1000 lateral access point



### Description and sizes

- Acces point for use with TopSlot 1000 silt boxes and channel elements
- Continuation of lateral inlet slot of the standard channel cover.
- To promote aesthetic design, the adjoining pavement surface may be continued across onto the TopSlot element
- Material: galvanized steel or stainless steel
- Total length: 500 mm
- Total height = channel or silt box height + 130 mm

## Silt box 1000



- Silt box including HD-PE sediment bucket
- See front page for material description

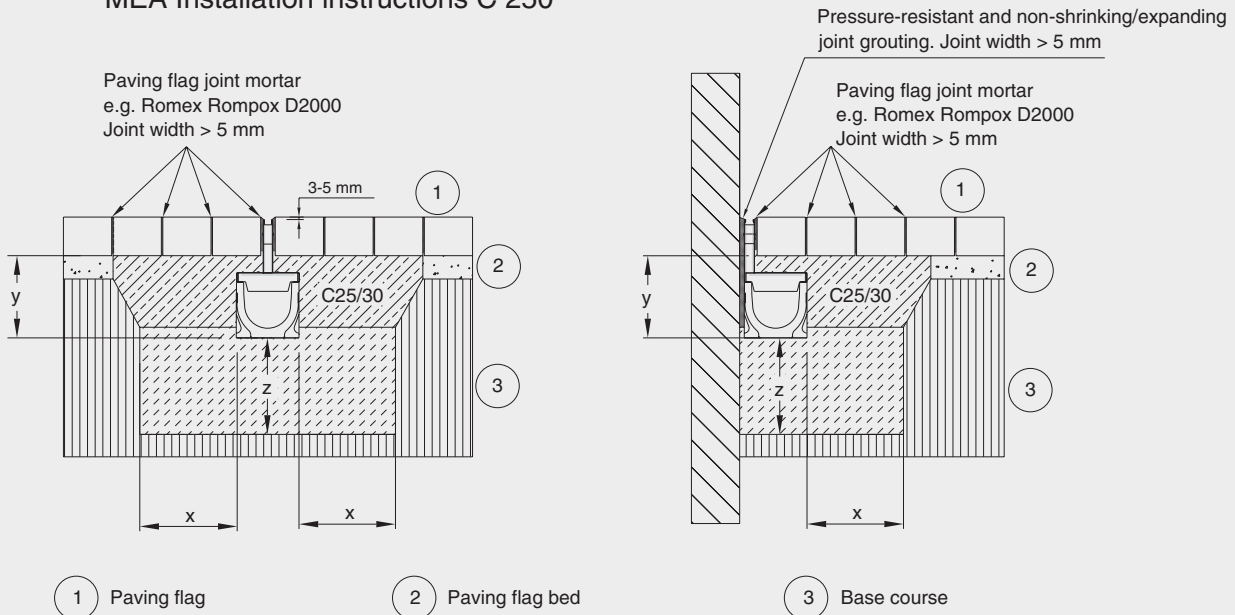
# TopSlot 1000 end caps

## Description

- Suitable for MEADRAIN TopSlot 1000 channel system
- Material: polymer concrete
- Types:
  - TL 1000.SE – for channel start and end, closed, suitable for total heights 115 mm to 215 mm
  - TL 1000.E – for channel end, with outlet connector, PVC Ø 110 mm, suitable for TL 1000.0
  - TL 1005.E – for channel end, with outlet connector, PVC Ø 110 mm, suitable for TL 1005 / TL1005.0(A)/TL1005.1
  - TL 1010.E – for channel end, with outlet connector, PVC Ø 110 mm, suitable for TL 1010 / TL1010.0(A)/TL1010.1
  - TL 1015.E – for channel end, with outlet connector, PVC Ø 110 mm, suitable for TL 1015 / TL1015.0(A)/TL1015.1
  - TL 1020.E – for channel end, with outlet connector, PVC Ø 110 mm, suitable for TL 1020 / TL1020.0(A)/TL1020.1

## Installation instructions for MEADRAIN TopSlot 1000 system

### MEA Installation instructions C 250



Loading class	A15	B125	C250
Min. concrete quality	C12/15	C20/25	C25/30
Min. X dimensions	100 mm	100 mm	150 mm
Min. Y dimensions	≥ Total channel height		
Min. Z dimensions	100 mm	100 mm	150 mm

#### For enquiries in the UK and Ireland:

##### MEA UK Limited

Rectors Lane  
Pentre  
Deeside  
Flintshire  
CH5 2DH  
tel: 0 1244 53 44 55  
fax: 0 1244 53 44 77  
uk.technical@mea.de  
www.mea-group.com

#### For all other enquiries:

##### MEA Drainage Division

Ambachtsweg 18  
7021 BT Zelhem  
P.O. Box 90  
7020 AB Zelhem  
The Netherlands  
tel: +31 (0) 314 62 77 62  
fax: +31 (0) 314 62 77 77  
sales.info@nl.mea.de  
www.mea-group.com